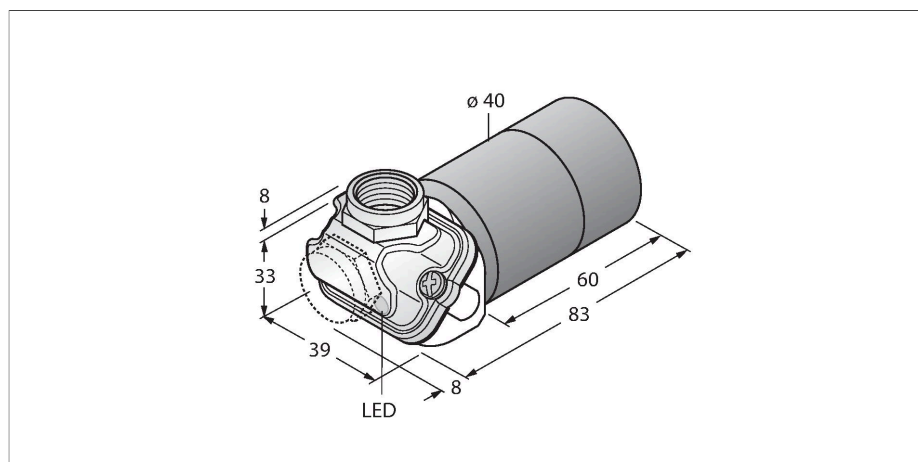


BC20-K40WDTC-VP4X2/S930

Capacitive Sensor – For the Food Industry



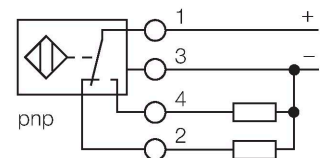
Features

- 2 cable entries (axial, radial)
- Plastic LV-30H FWA
- Smooth barrel, Ø 40 mm
- High protection class IP69K, for harsh environments
- Special double-lip seal
- Protection against all common acid and alkaline cleaning agents
- Laser engraved label, permanently legible
- For the food industry
- Fine adjustment via potentiometer
- DC 4-wire, 10...65 VDC
- Complementary contact, PNP output
- Terminal chamber

Technical data

Type	BC20-K40WDTC-VP4X2/S930
ID	2510105
Special version	S930 corresponds to: Except for transparent housing parts, all other plastic parts are black
Rated switching distance (flush)	20 mm
Rated switching distance (non-flush)	30 mm
Secured operating distance	$\leq (0.72 \times S_n)$
Hysteresis	1...20 %
Temperature drift	Typical 20 %
Repeat accuracy	≤ 2 % of full scale
Ambient temperature	-25...+70 °C
Electrical data	
Operating voltage	10...65 VDC
Residual ripple	≤ 10 % U_{ss}
DC rated operational current	≤ 200 mA
No-load current	≤ 15 mA
Residual current	≤ 0.1 mA
Switching frequency	0.1 kHz
Oscillation frequency	According to EN 60947-5-2, 8.2.6.2 Table 9: 0.1...2.0 MHz
Isolation test voltage	≤ 0.5 kV
Output function	4-wire, Complementary contact, PNP
Short-circuit protection	yes / Cyclic
Voltage drop at I_o	≤ 1.8 V
Wire breakage/Reverse polarity protection	yes / Complete

Wiring diagram



Functional principle

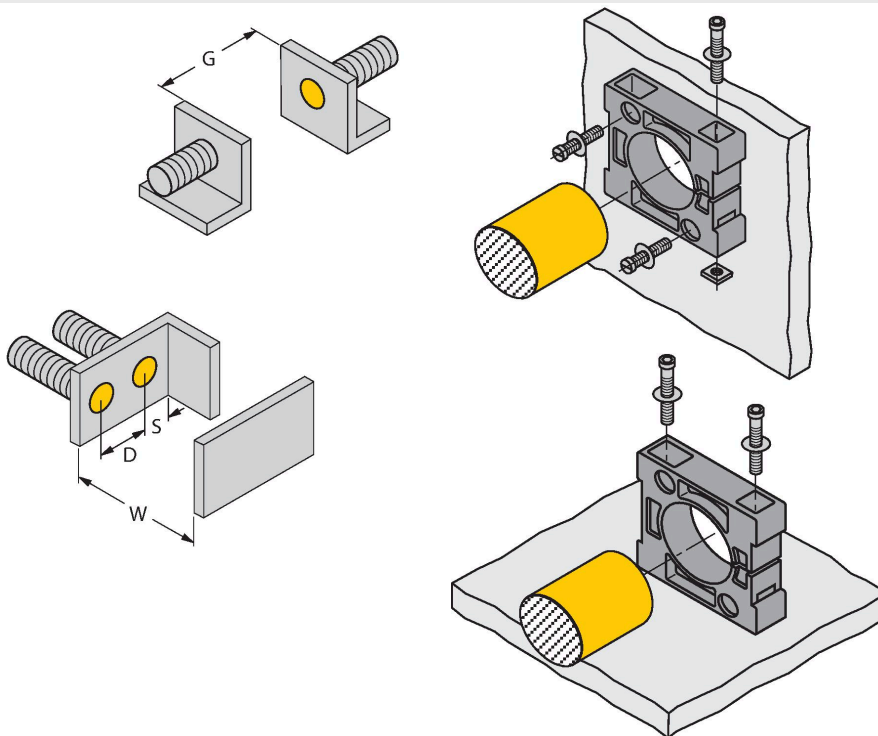
Capacitive proximity switches are designed for non-contact and wear-free detection of electrically conductive as well as non-conductive metal objects.

Technical data

Mechanical data	
Design	Smooth barrel, 40 mm
Dimensions	91 mm
Housing material	Plastic, Grilamid LV-30H FWA
Electrical connection	Terminal chamber, Removable cage clamp terminals
Coverage of terminal chamber	Ultem
Clamping ability	≤ 1.5 mm ²
Vibration resistance	55 Hz (1 mm)
Shock resistance	30 g (11 ms)
Protection class	IP69K
MTTF	1080 years acc. to SN 29500 (Ed. 99) 40 °C
Power-on indication	LED, Green
Switching state	LED, Yellow

Mounting instructions

Product features



Distance D	40 mm
------------	-------

Distance W	60 mm
------------	-------

Distance S	60 mm
------------	-------

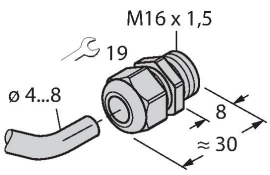
Distance G	120 mm
------------	--------

Diameter active area B	Ø 40 mm
------------------------	---------

The given minimum distances have been checked in compliance with the standard switching distance. Should the sensitivity of the sensors be changed via potentiometer, the data sheet specifications no longer apply.

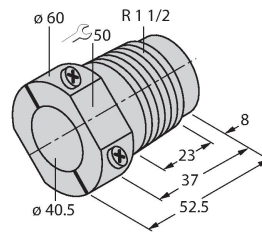
Accessories

M16X1.5 PVDF CABLE GLAND 1634759



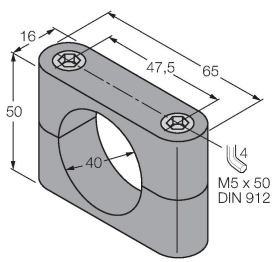
M16 × 1.5 cable gland, material: PVDF; with Viton O-ring; IP69K

MAP-K40 6950014



Mounting adapter; material: Polypropylene; sensor replacement with filled container possible (adapter remains in container during sensor replacement)

BS 40 69466



Fixing clamp; material mounting block: PBT