

# Product data sheet

Specifications



Inductive proximity sensors XS,  
Rotation monitoring, M30, Sn10mm,  
6...150c/mn, 12...48 VDC, cable 10  
m

XSAV01373L10

⚠ Discontinued

## Main

Range of product	Telemecanique Inductive proximity sensors XS
Series name	Application
Product or component type	Sensor
Sensor type	Inductive proximity sensor
Device application	Rotation monitoring
Sensor name	XSA
Sensor design	Cylindrical M30
Size	81 mm
Body type	Fixed
Detector flush mounting acceptance	Flush mountable
Material	Metal
Enclosure material	Nickel plated brass
Type of output signal	Discrete
Wiring technique	3-wire
[Sn] nominal sensing distance	10 mm
Discrete output function	1 NC
Output circuit type	DC
Discrete output type	PNP
Electrical connection	Cable
Cable length	10 m
[Us] rated supply voltage	12...48 V DC with reverse polarity protection
Switching capacity in mA	<= 200 mA with overload and short-circuit protection
IP degree of protection	IP67 conforming to IEC 60529

## Complementary

Thread type	M30 x 1.5
Detection face	Frontal

<b>Front material</b>	PPS
<b>Sensing range</b>	> 8...15 mm
<b>Adjustable frequency range</b>	6...150 cyc/mn
<b>Operating zone</b>	0...8 mm
<b>Differential travel</b>	3...15% of Fr
<b>Repeat accuracy</b>	3% of Sr
<b>Cable composition</b>	3 x 0.34 mm <sup>2</sup>
<b>Wire insulation material</b>	PvR
<b>Status LED</b>	Output state: 1 LED (red)
<b>Supply voltage limits</b>	10...58 V DC
<b>Switching frequency</b>	<= 100 Hz
<b>Maximum voltage drop</b>	<1.8 V (closed)
<b>Current consumption</b>	0...15 mA no-load
<b>Run-up delay at power-up</b>	0 s without
<b>Marking</b>	CE
<b>Threaded length</b>	67 mm
<b>Length</b>	81 mm
<b>Net weight</b>	0.3 kg

## Environment

<b>Product certifications</b>	CSA UL CCC
<b>Ambient air temperature for operation</b>	-25...70 °C
<b>Ambient air temperature for storage</b>	-40...85 °C

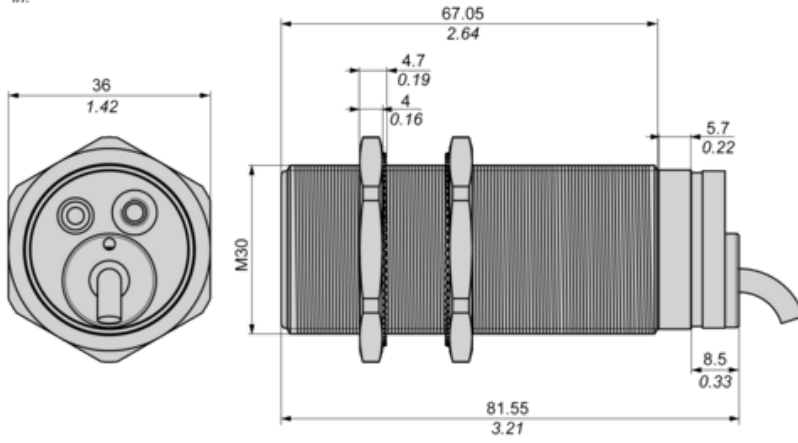
## Contractual warranty

<b>Warranty</b>	18 months
-----------------	-----------

Dimensions

---

mm  
in.

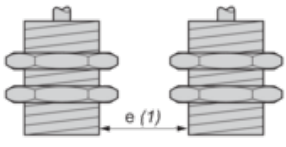


(1) LED

**Minimum Mounting Distances**

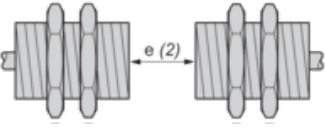
---

Side by side



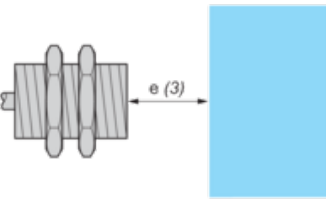
$e (1) \geq 20 \text{ mm}/0.79 \text{ in}$

Face to face



$e (2) \geq 120 \text{ mm}/4.72 \text{ in}$

Facing a metal object

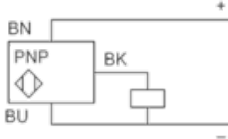


$e (3) \geq 30 \text{ mm}/1.18 \text{ in.}$

**Wiring Schemes**

---

3-wire DC

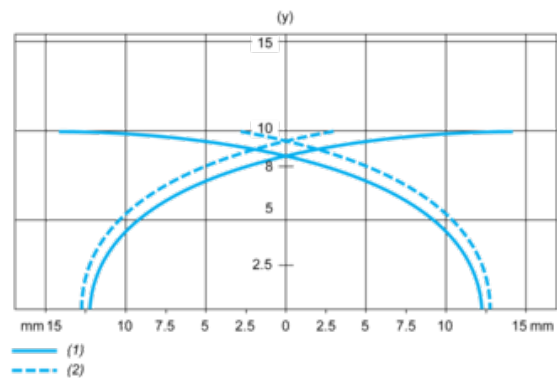


- BU** : Blue
- BN** : Brown
- BK** : Black

### Performance Curves

---

Standard Steel Target : 30x30x1 mm



(1) Pick-up points

(2) Drop-out points (object approaching from the side)

(y) Sensing distance in mm

### Recommended replacement(s)

XSAV01373L10 is replaced by the following product range:



#### Inductive and capacitive sensors XS & XT

Inductive and capacitive proximity sensors

Products: 1398