

Product data sheet

Specifications



inductive sensor XS7 40x40x15 -
PBT - Sn15mm - 12..24VDC - M12
0.15m

XS7C1A1NAL01M12

⚠ Discontinued

Main

Range of product	Telemecanique Inductive proximity sensors XS
Series name	General purpose
Sensor type	Inductive proximity sensor
Device application	-
Sensor name	XS7
Sensor design	Flat form 40 x 40 x 15
Size	15 mm
Body type	Fixed
Detector flush mounting acceptance	Flush mountable
Material	Plastic
Enclosure material	PBT
Type of output signal	Discrete
Wiring technique	3-wire
Discrete output function	1 NO
Output circuit type	DC
Discrete output type	NPN
Electrical connection	4 pins M12 remote male connector
Cable length	0.15 m
[Us] rated supply voltage	12...24 V DC with reverse polarity protection
Switching capacity in mA	<= 100 mA DC with overload and short-circuit protection
IP degree of protection	IP67 double insulation conforming to IEC 60529

Complementary

Detection face	Frontal
Front material	PBT
Operating zone	0...12 mm
Differential travel	1...15% of Sr

Wire insulation material	PvR
Status LED	Output state: 1 LED (yellow)
Supply voltage limits	10...36 V DC
Switching frequency	<= 1000 Hz
Maximum voltage drop	<2 V (closed)
Current consumption	<= 10 mA no-load
Maximum delay first up	10 ms
Maximum delay response	2 ms
Maximum delay recovery	5 ms
Marking	CE
Depth	15 mm
Height	40 mm
Width	40 mm

Environment

Product certifications	CSA Ecolab C-Tick UL
Ambient air temperature for operation	-25...70 °C
Ambient air temperature for storage	-40...85 °C
Vibration resistance	25 gn amplitude = +/- 2 mm (f = 10...55 Hz) conforming to IEC 60068-2-6
Shock resistance	50 gn for 11 ms conforming to IEC 60068-2-27

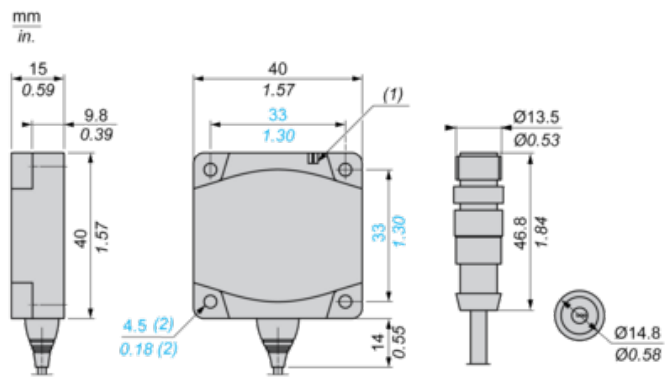
Packing Units

Package 1 Weight	0.082 kg
Package 1 Height	0.420 dm
Package 1 width	0.920 dm
Package 1 Length	0.620 dm

Contractual warranty

Warranty	18 months
-----------------	-----------

Dimensions



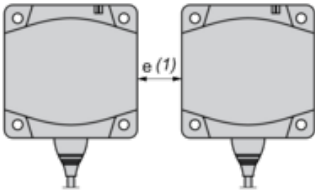
(1) LED

(2) For CHC type screws

Setting-up

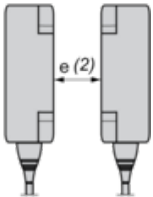
Minimum Mounting Distances (mm)

Side by Side



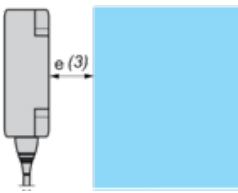
$e (1) \geq 45$

Face to Face



$e (2) \geq 110$

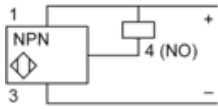
Facing a Metal Object



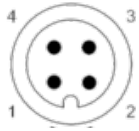
$e (3) \geq 45$

Wiring Schemes

NPN



M12



Recommended replacement(s)

XS7C1A1NAL01M12 is replaced by the following product range:



Inductive and capacitive sensors XS & XT

Inductive and capacitive proximity sensors

Products: 1398