

# Product data sheet

Specifications



inductive sensor XS6 M30 - L62mm  
- brass - Sn15mm - 12..48VDC -  
term. 0.15m

XS630B1NBL01B

⚠ Discontinued

XS630B1NBL01B has not been replaced. Please contact your customer care center for more information.

## Main

Range of product	Telemecanique Inductive proximity sensors XS
Series name	General purpose
Sensor type	Inductive proximity sensor
Device application	Mobile equipment
Sensor name	XS6
Sensor design	Cylindrical M30
Size	62 mm
Body type	Fixed
Detector flush mounting acceptance	Flush mountable
Material	Metal
Type of output signal	Discrete
Wiring technique	3-wire
[Sn] nominal sensing distance	15 mm
Discrete output function	1 NC
Output circuit type	DC
Discrete output type	NPN
Electrical connection	Remote male connector screw-clamp terminals
Cable length	0.15 m
[Us] rated supply voltage	12...48 V DC with reverse polarity protection
Switching capacity in mA	<= 200 mA DC with overload and short-circuit protection
IP degree of protection	IP68 double insulation conforming to IEC 60529 IP69K conforming to DIN 40050

## Complementary

Thread type	M30 x 1.5
Detection face	Frontal
Front material	PPS

Disclaimer: This documentation is not intended as a substitute for and is not to be used for determining suitability or reliability of these products for specific user applications

<b>Enclosure material</b>	Nickel plated brass
<b>Sensing range</b>	> 8...15 mm
<b>Operating zone</b>	0...12 mm
<b>Differential travel</b>	1...15% of Sr
<b>Cable composition</b>	3 x 0.34 mm <sup>2</sup>
<b>Wire insulation material</b>	PvR
<b>Status LED</b>	Output state: 1 LED (yellow)
<b>Supply voltage limits</b>	10...58 V DC
<b>Switching frequency</b>	<= 500 Hz DC
<b>Maximum voltage drop</b>	<2 V (closed)
<b>Current consumption</b>	<= 10 mA no-load
<b>Maximum delay first up</b>	10 ms
<b>Maximum delay response</b>	0.6 ms
<b>Maximum delay recovery</b>	1.4 ms
<b>Marking</b>	CE
<b>Threaded length</b>	52 mm
<b>Length</b>	62 mm
<b>Net weight</b>	0.205 kg

## Environment

<b>Product certifications</b>	E2
<b>Ambient air temperature for operation</b>	-25...70 °C
<b>Ambient air temperature for storage</b>	-40...85 °C
<b>Vibration resistance</b>	25 gn amplitude = +/- 2 mm (f = 10...55 Hz) conforming to IEC 60068-2-6
<b>Shock resistance</b>	50 gn for 11 ms conforming to IEC 60068-2-27

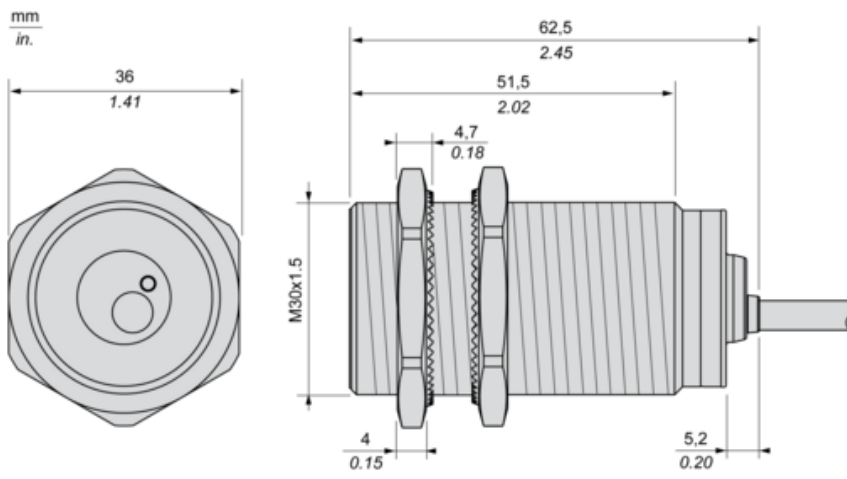
## Packing Units

<b>Package 1 Weight</b>	0.195 kg
<b>Package 1 Height</b>	0.420 dm
<b>Package 1 width</b>	0.970 dm
<b>Package 1 Length</b>	1.320 dm

## Contractual warranty

<b>Warranty</b>	18 months
-----------------	-----------

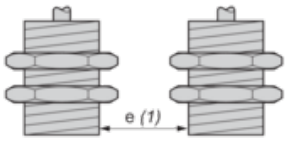
Dimensions



**Minimum Mounting Distances**

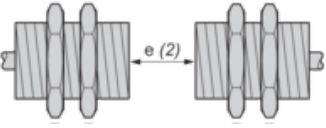
---

Side by side



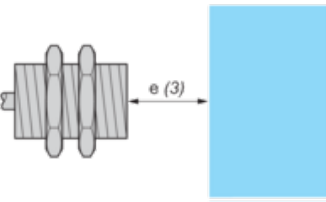
$e (1) \geq 30 \text{ mm}/1.18 \text{ in.}$

Face to face



$e (2) \geq 180 \text{ mm}/7.09 \text{ in.}$

Facing a metal object



$e (3) \geq 45 \text{ mm}/1.77 \text{ in.}$

**Wiring Schemes**

---

**Screw Terminal**

The terminal numbering differs according to the version (2-wire DC, 3-wire DC, 2-wire AC).

