



Product designation				Power contactor
Product type designation				BGP09
Contact characteristics				
Number of poles	nr.			3
Rated insulation voltage U_i IEC/EN	V			690
Rated impulse withstand voltage U_{imp}	kV			6
Operational frequency	min	Hz		25
	max	Hz		400
IEC Conventional free air thermal current I_{th}	A			20
Operational current I_e	AC-1 ($\leq 40^\circ\text{C}$)	A		20
	AC-3 ($\leq 440\text{V} \leq 55^\circ\text{C}$)	A		9
	AC-4 (400V)	A		4
Rated operational power AC-3 ($T \leq 55^\circ\text{C}$)	230V	kW		2.2
	400V	kW		4
	415V	kW		4.3
	440V	kW		4.5
	500V	kW		5
Rated operational power AC-1 ($T \leq 40^\circ\text{C}$)	230V	kW		8
	400V	kW		14
	500V	kW		16
	690V	kW		22
Short-time allowable current for 10s (IEC/EN60947-1)	A			96
Protection fuse	gG (IEC)	A		20
	aM (IEC)	A		10
Making capacity (RMS value)	A			92
Breaking capacity at voltage	440V	A		72
	500V	A		72
	690V	A		72
Resistance per pole (average value)	$m\Omega$			10
Power dissipation per pole (average value)	I_{th}	W		4
	AC3	W		0.81
Tightening torque for terminals	min	Nm		0.8
	max	Nm		1
	min	lbin		0.6
	max	lbin		0.7
Tightening torque for coil terminal	min	Nm		0.8

	max	Nm	1
	min	lbft	0.59
	max	lbft	0.74
Max number of wires simultaneously connectable		nr.	2
Conductor section			
Flexible w/o lug conductor section	min	mm ²	0.8
	max	mm ²	2.5
Flexible c/w lug conductor section	min	mm ²	1.5
	max	mm ²	2.5
Flexible with insulated spade lug conductor section	min	mm ²	1.5
	max	mm ²	2.5
Power terminal protection according to IEC/EN 60529			IP00
Mechanical features			
Operating position			
	normal allowable		Vertical plan ±30°
Fixing			Screw / DIN rail 35mm
Weight		g	198
Auxiliary contact characteristics			
Type of contact			1 NO
Thermal current I _{th}		A	10
IEC/EN 60947-5-1 designation			A600 - Q600
Operating current AC15			
	230V	A	3
	400V	A	1.9
	500V	A	1.4
Operating current DC12			
	110V	A	2.9
Operating current DC13			
	24V	A	2.9
	48V	A	1.4
	60V	A	1.1
	125V	A	0.3
	220V	A	0.1
	600V	A	0.6
Operations			
Mechanical life		cycles	20000000
Electrical life		cycles	500000
Safety related data			
Performance level B10d according to EN/ISO 13489-1			
	rated load	cycles	500000
	mechanical load	cycles	20000000
Mirror contacts according to IEC/EN 60947-4-1			yes
EMC compatibility			yes
AC coil operating			
Rated AC voltage at 50/60Hz		V	24
AC operating voltage			
	of 50/60Hz coil powered at 50Hz pick-up		

Stycznik 3 polowy, 9A w AC3, wbudowany zestaw 1NO, 24VAC 50/60Hz, do PCB, montaż od tyłu

	min	%Us	75
	max	%Us	115
drop-out			
	min	%Us	20
	max	%Us	55
of 50/60Hz coil powered at 60Hz			
pick-up			
	min	%Us	80
	max	%Us	115
drop-out			
	min	%Us	20
	max	%Us	55
AC average coil consumption at 20°C			
of 50/60Hz coil powered at 50Hz			
	in-rush	VA	30
	holding	VA	4
of 50/60Hz coil powered at 60Hz			
	in-rush	VA	25
	holding	VA	3
of 60Hz coil powered at 60Hz			
	in-rush	VA	30
	holding	VA	4
Dissipation at holding $\leq 20^{\circ}\text{C}$ 50Hz		W	0.95
Max cycles frequency			
Mechanical operation		cycles/h	3600
Operating times			
Average time for Us control			
in AC			
Closing NO			
	min	ms	12
	max	ms	21
Opening NO			
	min	ms	9
	max	ms	18
Closing NC			
	min	ms	17
	max	ms	26
Opening NC			
	min	ms	7
	max	ms	17
in DC			
Closing NO			
	min	ms	18
	max	ms	25
Opening NO			
	min	ms	2
	max	ms	3
Closing NC			
	min	ms	3
	max	ms	5
Opening NC			
	min	ms	11
	max	ms	17

UL technical data

Stycznik 3 polowy, 9A w AC3, wbudowany zestaw 1NO, 24VAC 50/60Hz, do PCB, montaż od tyłu

Full-load current (FLA) for three-phase AC motor

at 480V	A	7.6
at 600V	A	6.1

Yielded mechanical performance

for single-phase AC motor

110/120V	HP	0.5
230V	HP	1.5

for three-phase AC motor

200/208V	HP	2
220/230V	HP	3
460/480V	HP	5
575/600V	HP	5

General USE

Contactor

AC current	A	20
------------	---	----

Contact rating of auxiliary contacts according to UL

A600 - Q600

Ambient conditions

Temperature

Operating temperature

min	°C	-50
max	°C	+70

Storage temperature

min	°C	-60
max	°C	+80

Max altitude

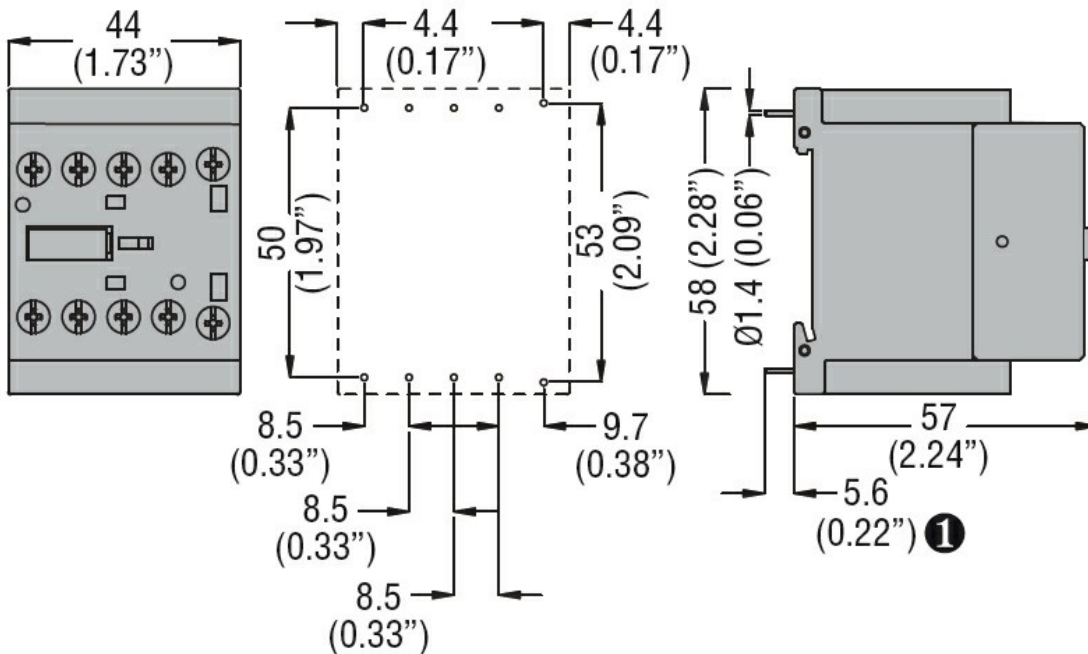
m 3000

Resistance & Protection

Pollution degree

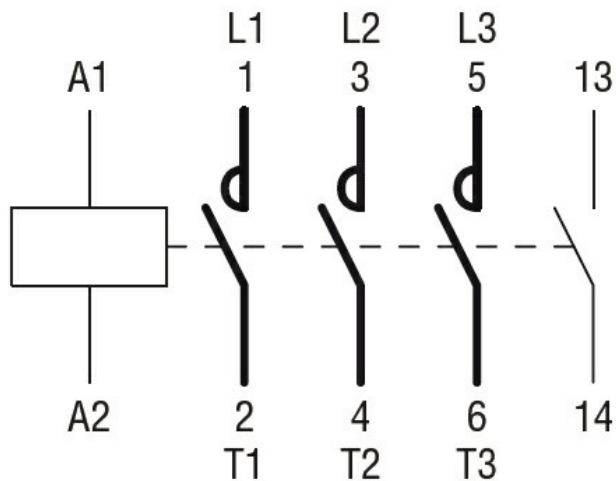
3

Dimensions



1 Recommended PCB drillings 1.7-2mm.

Wiring diagrams



Certifications and compliance

Compliance

CSA C22.2 n° 60947-1

CSA C22.2 n° 60947-4-1

IEC/EN 60947-1

IEC/EN 60947-4-1

UL 60947-1

UL 60947-4-1

Certificates

cURus

EAC

ETIM classification

ETIM 8.0

EC000066 -
 Power contactor,
 AC switching